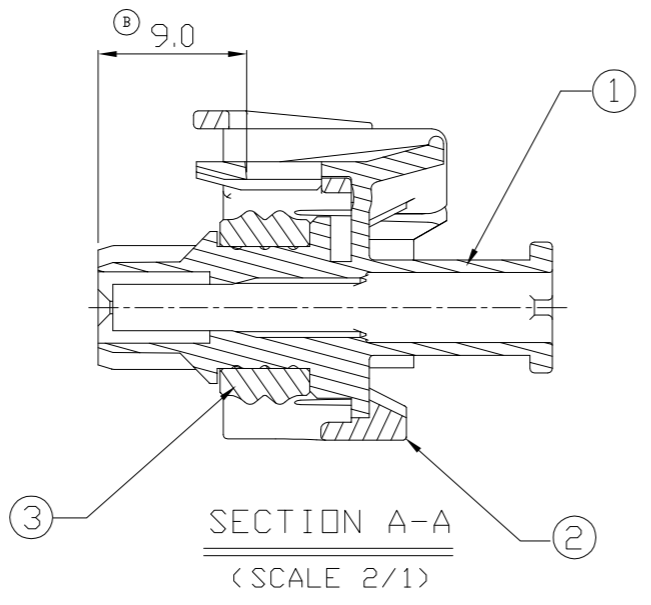
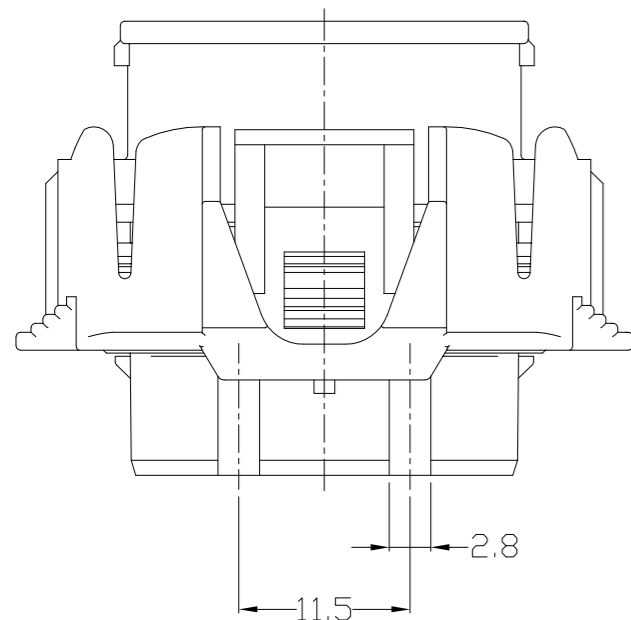
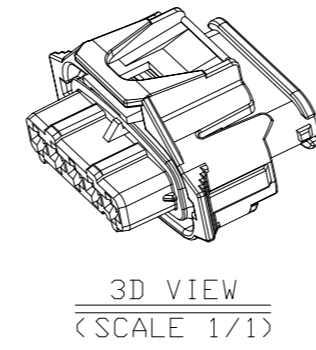


REVISIONS					
P	LTR	DESCRIPTION	DATE	DWN	APVD
B		REVISED (ECR-15-018313)	28. DEC. '15	SJ	HG

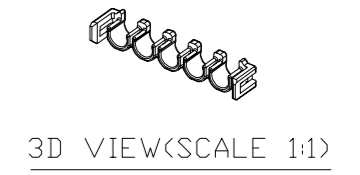
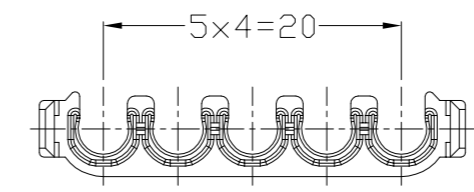
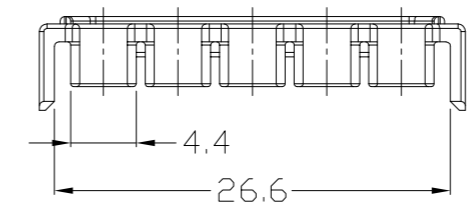


ASSEMBLY

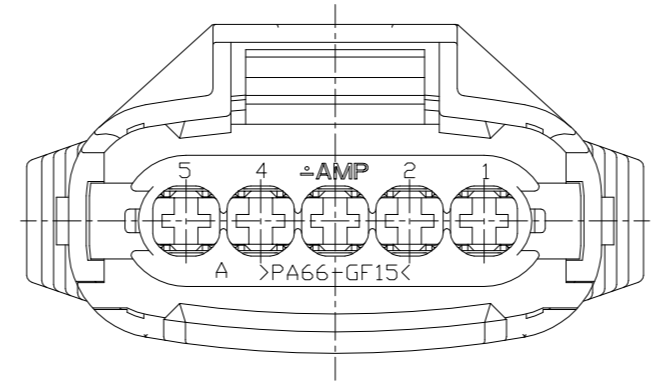
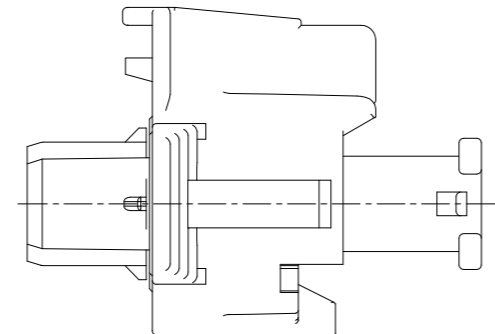
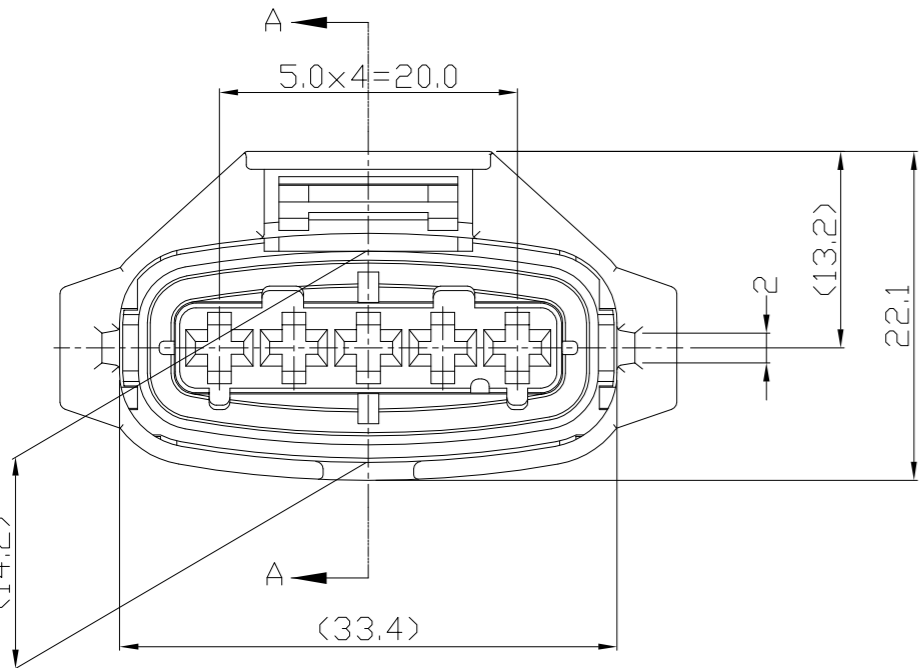


ACCESSORIES DRAWING

①. DBL HSG : P/N:936110  
SCALE : 2/1

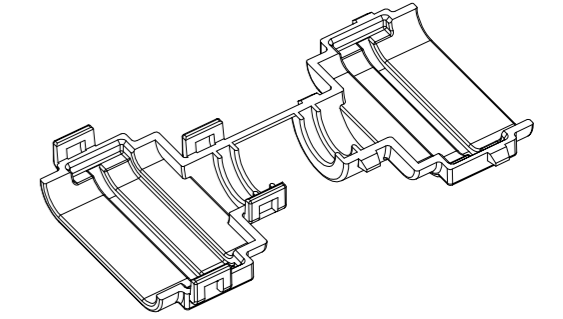


NOTE;  
①) MATERIAL : PBT



②. COVER HSG : P/N:936113  
SCALE : 2/1

NOTE;  
①) MATERIAL : NYLON 66  
②) CORRUGATOR DIAMETER : Ø7.0

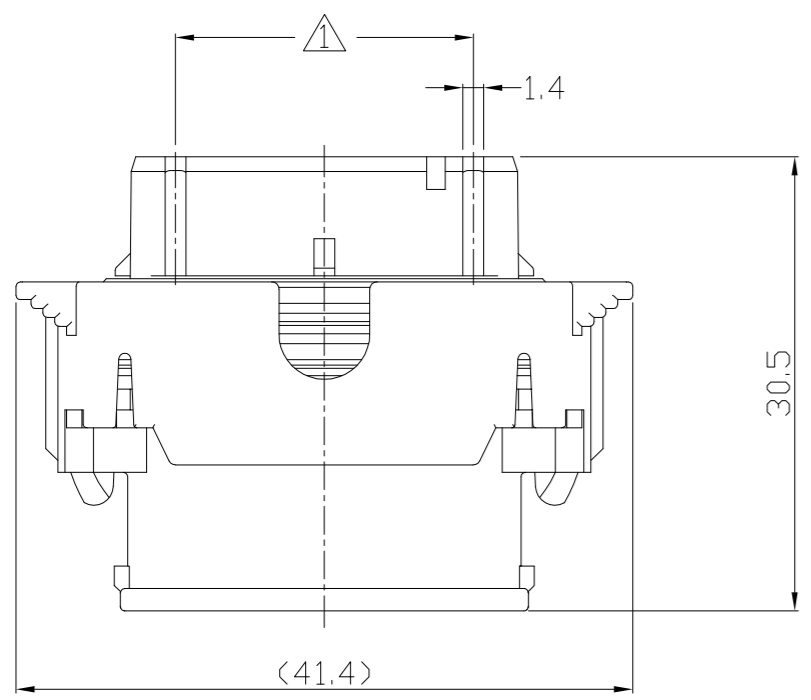


4. APPLIED RECEPTACLE CONTACT P/N:

DESCRIPTION	2.8mm SENSOR-FLAT RECEPTACLE	
Part NO.	967542	967543
WIRE SIZE(mm <sup>2</sup> )	0.5 ~ 1.0	1.25 ~ 2.5

5. APPLIED WIRE SEAL P/N:

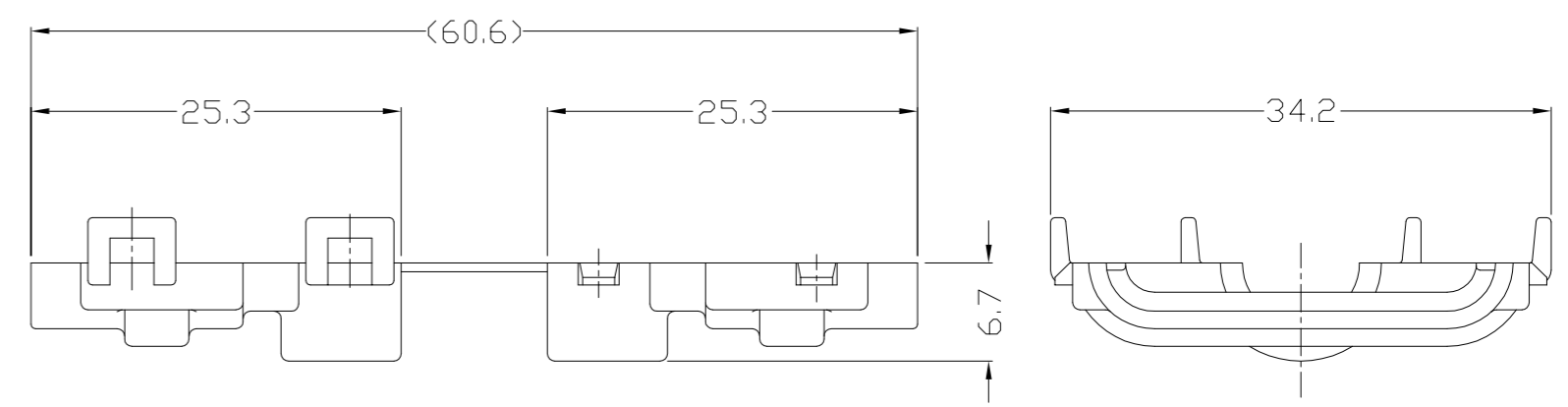
DESCRIPTION	SINGLE-WIRE SEAL(5mm Hole)	
Part NO.	828904	828905
INSULATION DIA.(φ)	1.2 ~ 2.1mm	2.2 ~ 3.0mm



(TABLE 1)

CODE I : 0-936062-1	CODE II : TBD
20	7.0
CODE III : TBD	CODE IV : TBD
10	10
13.5	13.5

NOTE;  
 ① CODING IS AS FOLLOWS; SEE TABLE 1.  
 2. 0.15 MAX. WARPAGE AND 0.2 MAX. FLASH ARE PERMISSIBLE  
 3. SURFACE DEFECTS ARE NOT ACCEPTABLE AS FOLLOWS: SINK, WELD LINES, HAIRCRACKS, STAINS & SCORES



Q' TY	P/N	DESCRIPTION	MATERIAL	COLOR	NO
1	936802-1	INNER SEAL	SILICON	RED ORANGE	3
1	936109-1	PROTECTOR HSG	PA 66 GF15	BLACK	2
1	TBD	PLUG HSG	PA 66 GF15	BLACK	1
1	TBD	PLUG HSG	PA 66 GF15	BLACK	1
1	TBD	PLUG HSG	PA 66 GF15	BLACK	1
1	936108-1	PLUG HSG	PA 66 GF15	BLACK	1

ASSEMBLY P/N	TBD	THIS DRAWING IS A CONTROLLED DOCUMENT FOR AMP INCORPORATED. IT IS SUBJECT TO CHANGE AND THE CONTROLLING ENGINEERING. DIMENSIONS: mm TOLERANCES UNLESS OTHERWISE SPECIFIED: 0 <XX<10 ± 0.2 10 <XX<30 ± 0.25 30 <XX ± 0.3 ANGLES ± 3° 3rd ANGLE PROJECTION MATERIAL SEE TABLE FINISH -----	DWN SJ CHDI	TE connectivity NAME 2.8mm SEALED 5P PLUG ASSEMBLY SIZE A2 CAGE CODE 00779 DRAWING NO. 936062 SCALE 2/1 SHEET 1 OF 1 REV B
	TBD		CHK JW JUNG	
	TBD		APVD HG CHD	
	TBD		PRODUCT SPEC	
936062-1			APPLICATION SPEC 114-18144	